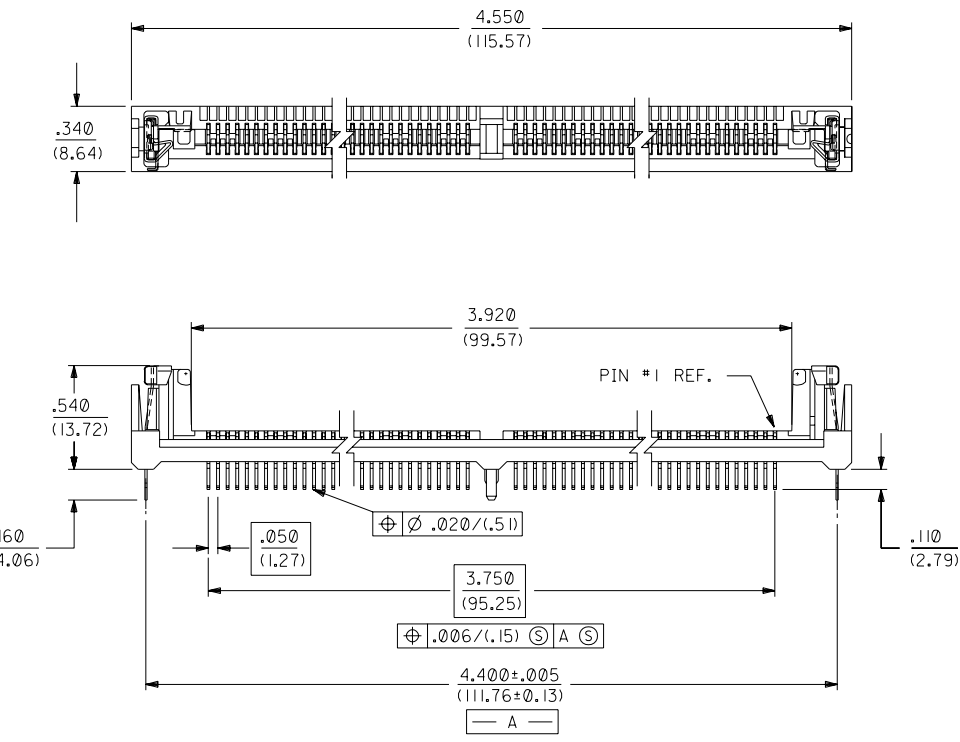


"SIMM" P.C. BOARD LAYOUT



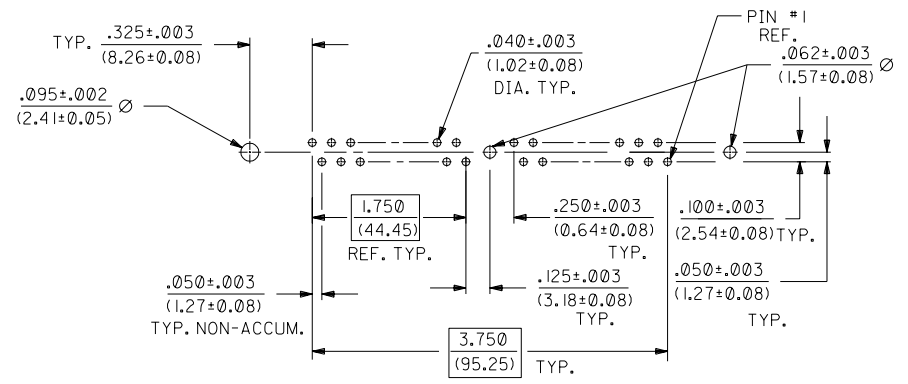
\*THE PRIMARY SHIPPING CARTON WILL BE LABELED "COMPLIANT TO RoHS DIRECTIVE 2002/95/EC AND ELV ANNEX II OF DIRECTIVE 2000/53/EC" CARTONS WITHOUT THIS LABEL MAY CONTAIN PRODUCT WITH LEAD.

- NOTES:
1. CARD SLOT ACCEPTS .050 +.004/-.003 P.C. BOARDS (MEASURED OVER P.C. PADS).
  2. PRODUCT SPEC PS-78954 APPLIES
  3. CENTER PEG IS AN INTERFERENCE FIT TO PCB UNLESS NOTED ON THE DWG. (APPLICABLE ONLY IF PART HAS A CENTER PEG FEATURE)

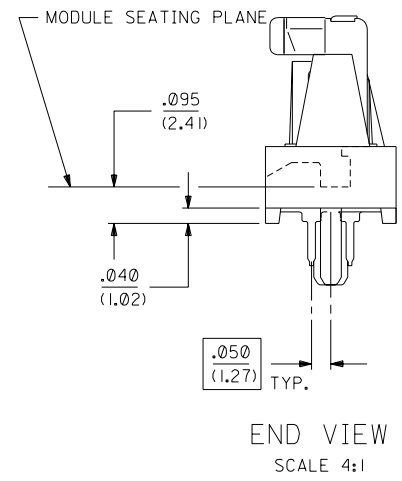
MATERIALS:

- HOUSING- LCP, GLASS FILLED, 94V-0, COLOR: BLACK
- TERMINAL- PHOSPHOR BRONZE
- PLATING- POST PLATED 30 μin/(0.76 μm) MINIMUM GOLD IN CONTACT AREA AND 150 μin/(3.81 μm) MINIMUM TIN IN TAIL AREA OVER 75 μin/(1.91 μm) MINIMUM NICKEL OVERALL.
- \* REFERENCE NOTE IN LOWER LEFT CORNER OF DRAWING.

METAL LATCH- STAINLESS STEEL



RECOMMENDED SOCKET P.C. BOARD HOLE PATTERN



END VIEW  
SCALE 4:1

D	LEAD FREE UCP2004-1582 RWHITE 04/02/24
C	REVISED PER ECR# U51309 GMY 8-18-95
B	REDRAWN PER ECR U20649 AMD 6-10-92
A	RELEASE FOR MFG. PER ERO 30568 SEC 10-26-90

DIMENSIONS SHOWN (METRIC) INCH UNLESS OTHERWISE SPECIFIED TOLERANCES: ANGULAR ± 1/2°		▽ = 0 ▲ = 0 REVISION ONLY ON CAD SYSTEM	
3 PLACE ± .010 --- 2 PLACE ± .014 ± 0.25 1 PLACE --- ± 0.35		TITLE SALES ASSEMBLY REV. ROTATION METAL LATCH VERTICAL SIMM SOCKET	
DRAFT WHERE APPLICABLE MUST REMAIN WITHIN DIMENSIONS		MOLEX INCORPORATED LITSE,ILL. 60532	
DRWG. NO. SEC BY: [signature] APP'D. BY: [signature]		PART NO. 15-82-0788 DRWG. NO. SDA-78962-7236	
SCALE 2:1		SHEET NO. 1 DATE 10/26/90	
FILE NAME 57896256.DGN		THIS DRAWING CONTAINS INFORMATION THAT IS PROPRIETARY TO MOLEX INC. AND SHOULD NOT BE USED WITHOUT WRITTEN PERMISSION	

78962

78962

78962